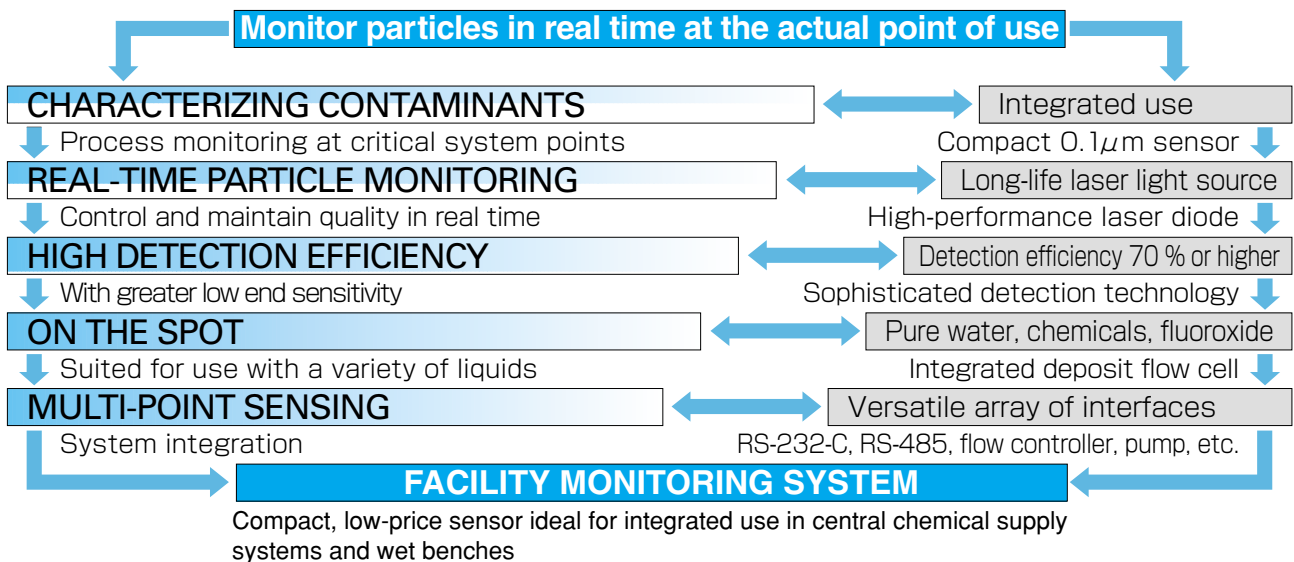




Liquid-borne Particle Sensor **KS-16/KS-16F**

(HF measurement)

Finally -- A Sensor for In-Line Monitoring of Liquid-Borne Particles with 0.1 μm Resolution





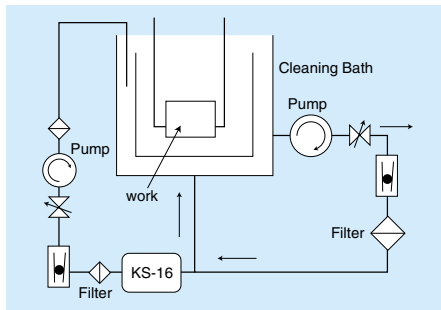
RP Monitor System for up to 20 Points. LMS and KF-02A Support Multi-Point Monitoring at 100 Points or More.

Specifications

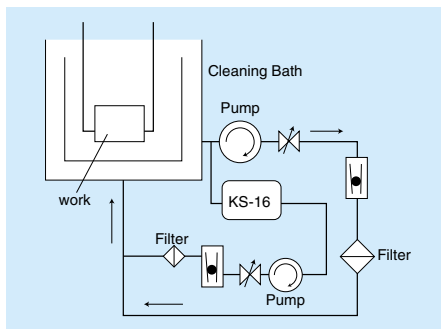
Optical System: 90° sideway light-scattering principle
 Light source: Laser diode (wave length : 830 nm)
 Light detector: PIN Photo diode
 Materials of component parts exposed to sample fluid: PFA, fused silica (KS-16), sapphire (KS-16F)
 Minimum diameter of countable particle: 0.1 μm
 Measurement size range: Five channels 0.1, 0.15, 0.2, 0.3, 0.5 μm
 Counting efficiency: 70 ± 15 % (KS-16) 60 ± 15 % (KS-16F)
 Flow rate: 10 mL/min
 Maximum particle concentration: 1200 particles/mL (coincidence loss 5% or less)
 Sample fluid temperature range: 15 to 35°C
 Allowable sample fluid pressure: 300kPa or less (gauge pressure)
 Dimensions:
 Main unit: 240 (W) × 110 (H) × 150 (D) mm (excluding protruding parts)
 Weight: Approx. 3.5 kg
 Power supply unit: 70 (W) × 111 (H) × 184 (D) mm (excluding protruding parts)
 Weight: Approx. 0.8 kg
 Interface: RS-232-C, RS-485

Sampling Example

Monitoring the purity of wet bench cleaning liquid

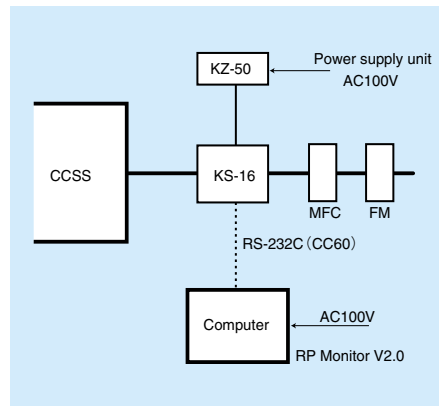


Monitoring the purity inside a wet bench cleaning bath

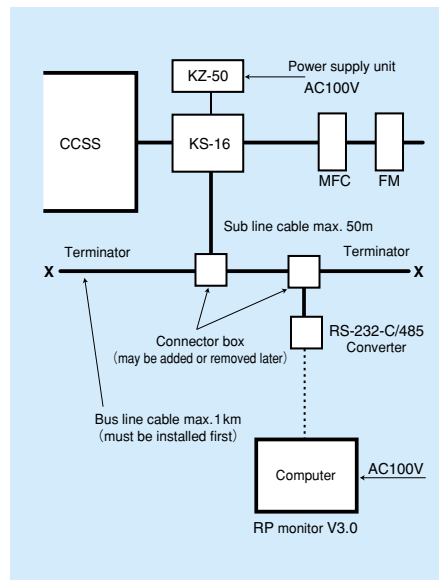


System

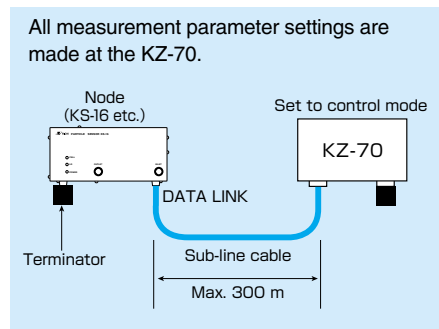
Operation Control of KS-16 Via RS-232-C Interface



Operation Control of KS-16 Via RS-485 Interface



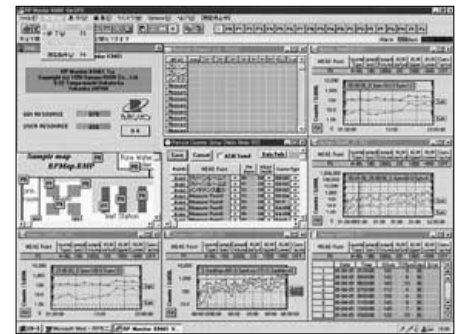
Operation Control of KS-16 with Sensor Controller KZ-70



Monitoring Systems (Option)

RP Monitor K9461 <Ver. 2, 3>

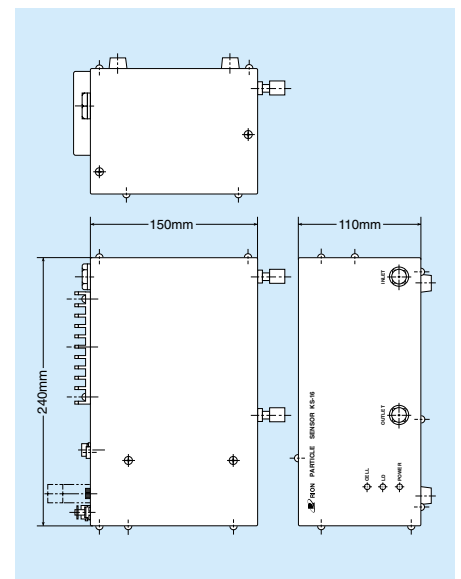
- Particle counter automatic operation
- Can drive any Rion particle counter in RS-232C mode (Ver. 2).
- RS-232C/RS-485 converter allows multi-sensor system with 20 points (Ver. 3).



Multi-Point Monitoring Software KF-02A

- Measurement control, data collection, result display and printing for up to 100 sensors.
- Supports up to 5 controllers, each with up to 20 sensors.

KS-16 Dimensional Drawing



Specifications subject to change without notice.



20-41, Higashimotomachi 3-chome, Kokubunji, Tokyo 185-8533, Japan
 Telephone: +81-42-359-7878 Fax: +81-42-359-7458
 URL : <http://www.rion.co.jp/> E-mail: info@rion.co.jp

Distributed by:

